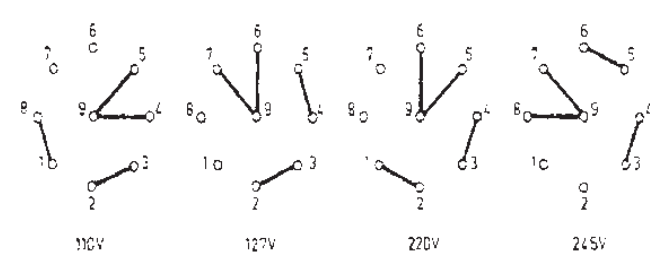
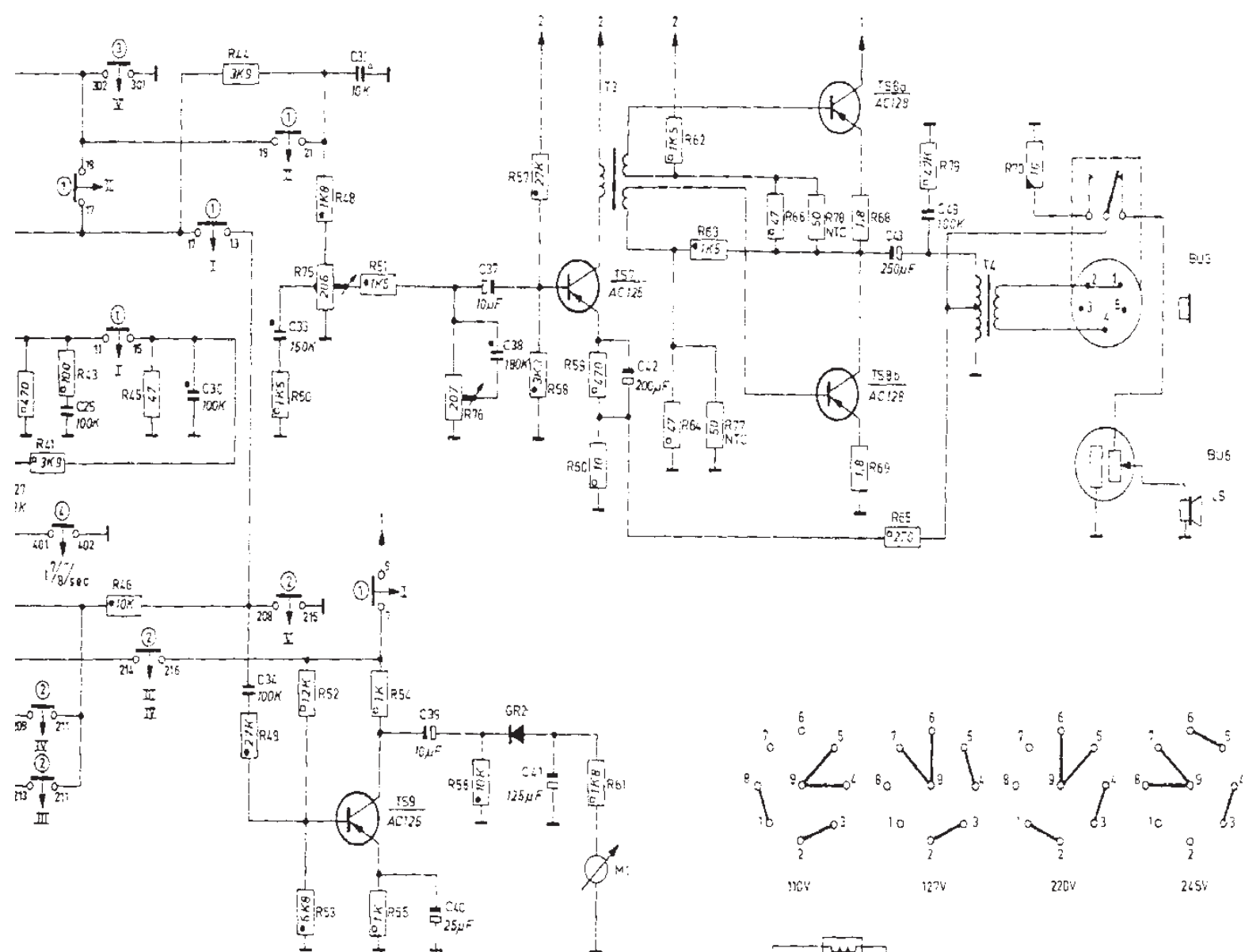


www.geocities.com/chopin.i  
 Grazie a Gabriele Monti

- 900/P...
- 901/...
- 902/A...
- 902/K...
- 904/P...
- 906/...

- I = → recording
- II = ← playback
- III = 1-4
- IV = 2-3
- V = par.
- ① = SK1
- ② = SK2
- ③ = SK3
- ④ = SK4



[www.geocities.com/chopin.i](http://www.geocities.com/chopin.i)  
 Grazie a Gabriele Monti

